



VALOR ZIG-ZAG PAPER DISPENSER



REF
EAN

AH37000
8427950340093
White



AH37300
8427950363665
Silver



REF
EAN

AH37600
8427950349218
Black



AH37600-MT
8427950368059
Matt black

General description

AH37000/AH37300/AH37600/AH37600-MT

- Zig-zag towel dispenser.
- Key lockable, front window and tilting cover.
- For up to 600 towels folded in the shape of a Z, V, W and C.
- It dispenses towels folded one by one.

Comments

AH37000/AH37300/AH37600/AH37600-MT

- It complements all the devices in the Valor range.

Parts and materials

AH37000/AH37300/AH37600/AH37600-MT

- Made of ABS plastic.

Colour/Finish

AH37000

- White cover and base

AH37300

- Black base
- Silver grey cover

AH37600

- Polished black cover and base

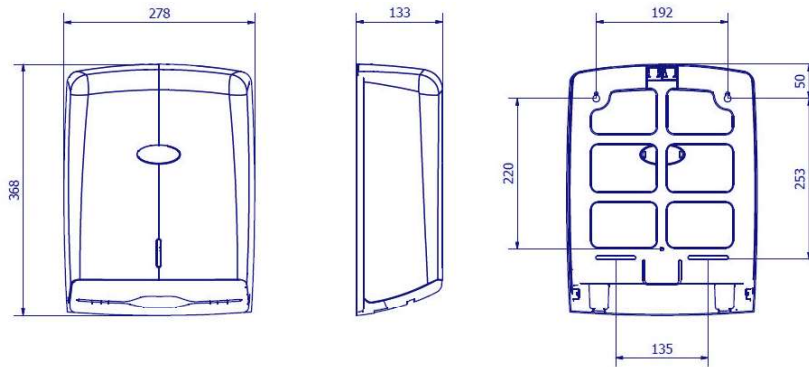
AH37600-MT

- Matt black cover
- Black base

Dimensions (mm)

AH37000/AH37300/AH37600/AH37600-MT

Weight: 0.680 k



Dimensions with packaging

AH37000/AH37300/AH37600/AH37600-MT			
Height	Width	Depth	Weight
370 mm	275 mm	130 mm	0.810 k

Package

- 1 unit per package

Installation

- With screws and plugs.
- It includes: 1 tool, 4 plugs and 4 screws.

Approved by: Quality Department

Date: 11/01/2023